

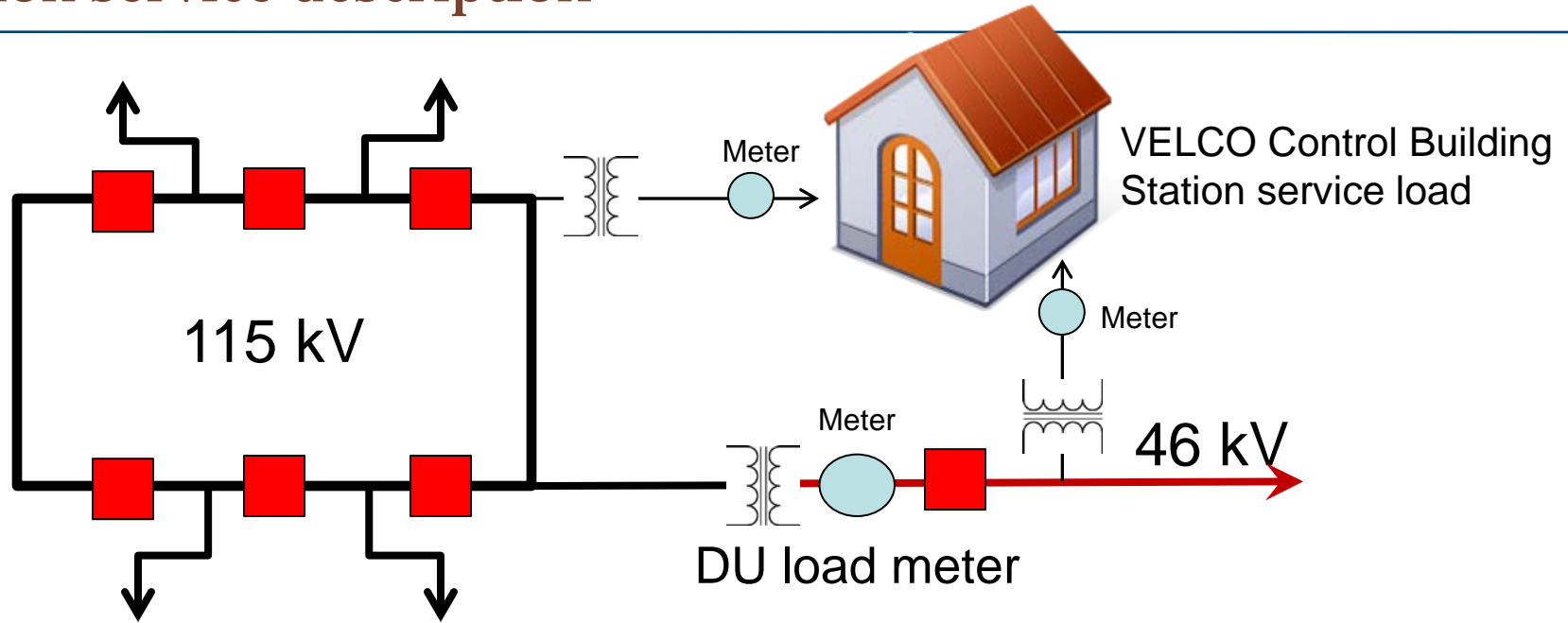
The VELCO logo is displayed in a bold, white, sans-serif font. It is positioned on the left side of the top banner, which features a scenic background of rolling hills with autumn foliage and several transmission towers.

VERMONT'S TRANSMISSION RELIABILITY RESOURCE

# VELCO station service

January 2015

# Station service description



- Station service is usually located off substation end bus.
- Meter is read by VELCO during substation inspection and entered in Cascade.

## What have we done since last time?

---

- Discussed this topic with the Metering forum on 1/7/15.
- Completed an Excel spreadsheet with station service inventory:
  - 35 meters that should be read by DUs. (32 locations)
    - (Barre~\$30/month) ( $35 * \$30 * 12 = \$12,600$  year)
  - 37 meters that VELCO will pay use tax to the state of Vermont.

## Suggested next steps

---

- Work with each affected DU to read VELCO 13, 34.5, & 46kV station service meters.
- DU will bill VELCO station service rate for low voltage deliveries.
- VELCO will read 115kV station service meters, modify station service use, and pay tax on only 115kV station service meters.