

VELCO Facility Classification

March 18, 2021

vermont electric power company



Vermont Tariffs

- 2 FERC filed transmission tariffs:
 - Vermont Transmission Agreement (VTA)
 - Substation Participation Agreement (SPA)
 - VT Transco LLC Transmission Administration Manual (VTAM)
 - Open Access Transmission Tariff (OATT)
 - Schedule 21

Facility Classification Committee

- Diverse group of VELCO staff to discuss facility classification.
 - New interconnections
 - Specific Facilities changing to Common Facilities
 - Exclusive Facilities
 - Substation upgrades
 - Try to apply SPA uniformly

FCC Charter Mission

- The Facility Classification Committee (FCC) will provide consistent guidance and direction to project managers and proponents (Requester) on how the existing agreements are interpreted and applied to new and existing facilities. In addition, the FCC will provide guidance on how agreements would be developed and implemented for interconnection facilities. The FCC will determine the necessary adjustments to the existing processes, propose necessary amendments to the governing documents, and to ensure that facility classifications and agreements are performed correctly and at the proper time of project development. The FCC will also lead other work efforts such as clarifying communication expectations, as well as the development of updated facility classification mapping and other tools to aid the Company in the execution of the agreements associated with various projects and upgrades.*

Facility Classification Legend

FACILITIES REFERENCE LEGEND

ISO-NEW ENGLAND PTF FACILITIES (COMMON FACILITIES): 

POOL TRANSMISSION FACILITIES (PTF) ARE THE TRANSMISSION FACILITIES OWNED BY PARTICIPATING TRANSMISSION OWNERS (PTO), OVER WHICH THE ISO SHALL EXERCISE OPERATING AUTHORITY IN ACCORDANCE WITH THE TERMS SET FORTH IN THE TRANSMISSION OPERATING AGREEMENT (TOA), RATED 69KV OR ABOVE, REQUIRED TO ALLOW ENERGY FROM SIGNIFICANT POWER SOURCES TO MOVE FREELY ON THE NEW ENGLAND TRANSMISSION SYSTEM. (OATT, II.49)

COMMON FACILITIES (NON-PTF): 

VELCO FACILITIES THAT COMPRISE THE STATEWIDE, HIGH VOLTAGE TRANSMISSION GRID, INTERCONNECTING AND SERVING THE LOAD CENTERS OF THE STATE, AND ARE USED IN COMMON BY ALL PURCHASERS OF TRANSMISSION SERVICES ON A STATEWIDE BASIS. THIS INCLUDES FACILITIES CONSTRUCTED PRIOR TO 7-1-90, OR ANY SPECIFIC FACILITIES CONSTRUCTED AFTER 7-1-90 THAT HAVE BEEN RECLASSIFIED AS COMMON FACILITIES AS A RESULT OF BEING IN SERVICE FOR A PERIOD OF TEN YEARS.

SPECIFIC FACILITIES: 

HIGH VOLTAGE LINES, SUBSTATIONS AND OTHER APPURTENANCES CONSTITUTING A DIRECT PHYSICAL CONNECTION TO THE VELCO (COMMON) TRANSMISSION SYSTEM AND ARE NOT PART OF THE LOOPED TRANSMISSION GRID. THESE FACILITIES ARE USED AND INSTALLED TO BENEFIT A REQUESTING PURCHASER OF TRANSMISSION SERVICE. IN THE CASE OF A SUBSTATION (STEPPING DOWN TO A LOWER VOLTAGE) THIS INCLUDES THE TRANSFORMER, HIGH SIDE CIRCUIT SWITCHER, BANK BREAKER, ANCILLARY DEVICES, CONTROLS AND CONTROL CIRCUITRY (REFER TO COMMON FACILITIES DEFINITION FOR CRITERIA OF RECLASSIFICATION).

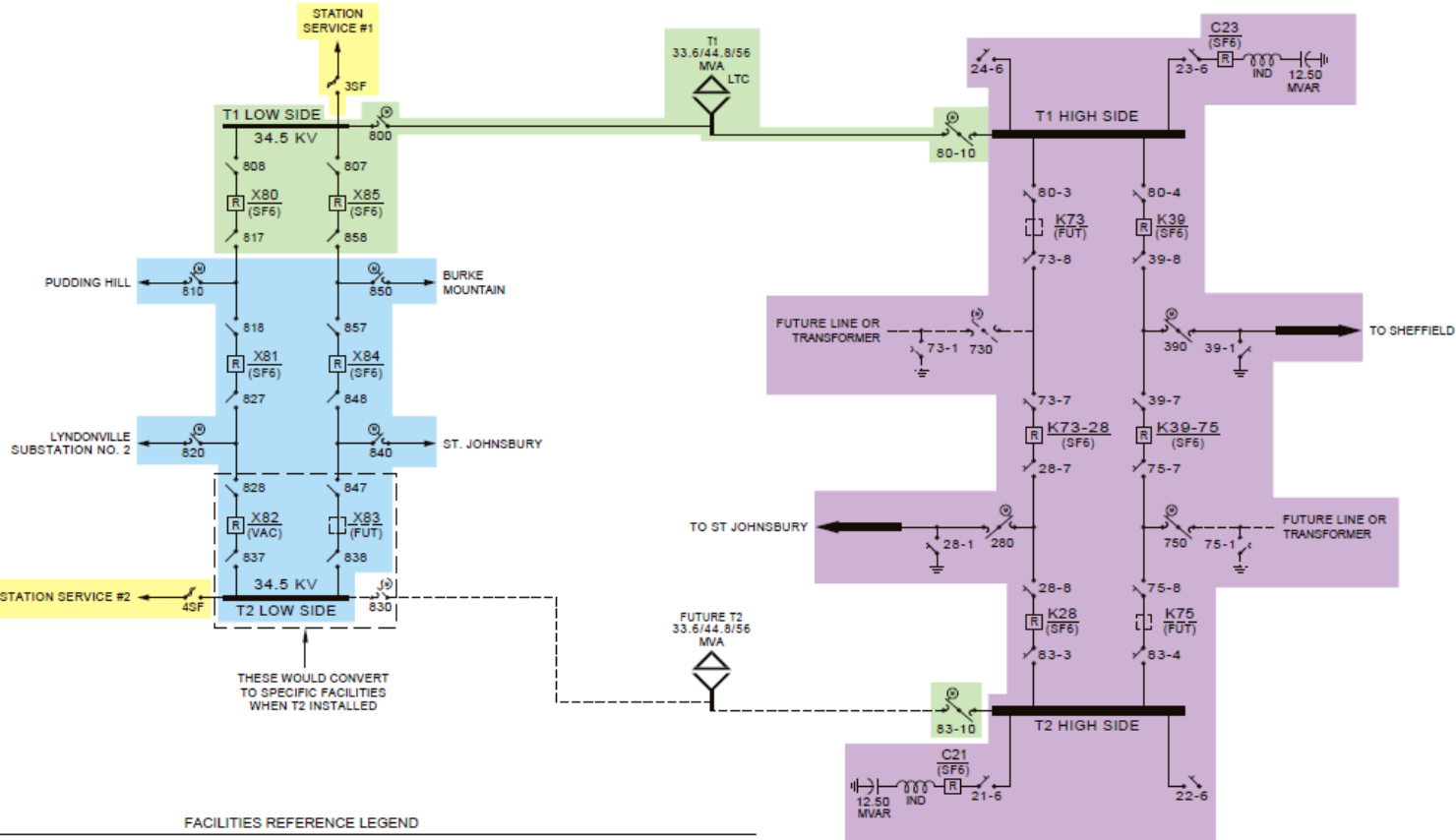
EXCLUSIVE FACILITIES: 

EQUIPMENT CONNECTED TO THE LOW VOLTAGE BUS, INCLUDING ANY ASSOCIATED PROTECTION, CONTROL, AND METERING SYSTEMS THAT HAVE BEEN CONSTRUCTED UNDER A VELCO WORK ORDER, AND ARE TO BE FULLY OWNED AND FUNDED BY THE PURCHASER OF TRANSMISSION SERVICE UPON COMMISSIONING. THIS TYPICALLY INCLUDES FOUNDATIONS AND STRUCTURES, BREAKERS AND SWITCHES, INSULATORS, LINE POTENTIAL TRANSFORMERS, CONDUIT, CABLE AND GROUNDING. ONGOING MAINTENANCE AND TESTING OF THESE FACILITIES ARE SUBJECT TO THE TERMS AND CONDITIONS OF VELCO'S SUBSTATION PARTICIPATION AGREEMENT.

SHARED FACILITIES (COMMON USE): 

TYPICALLY CONSISTING OF EQUIPMENT LOCATED WITHIN SUBSTATIONS THAT ARE SHARED IN SOME MANNER FOR THE BENEFIT OF BOTH VELCO AND THE PURCHASER OF TRANSMISSION SERVICE. THIS INCLUDES STRUCTURES (BUILDINGS) AND IMPROVEMENTS, FENCING AND GATES, LOW VOLTAGE DISCONNECT SWITCHES, BUS WORK, LOW VOLTAGE POTENTIAL TRANSFORMERS (STATION SERVICE AND BUS POTS), COMPLETE STATION GROUNDING SYSTEMS, SUPPORTS AND CABLE TRAYS, BATTERIES AND CHARGERS, SWITCHSTICKS AND GLOWTECTORS, LADDERS, TABLES AND SUPPLY CABINETS. ONGOING MAINTENANCE AND TESTING OF THESE FACILITIES ARE SUBJECT TO THE TERMS AND CONDITIONS OF VELCO'S SUBSTATION PARTICIPATION AGREEMENT.

FCC example drawing



3	01.05.21	AG	EJM	FACILITY CLASSIFICATION EDITS
2	08.12.19	AG	AG	TEXT EDITS
1	03.01.10	JH	JH	MISC. CHANGES DURING SYSTEM DESIGN
REV	DATE	DR	CK	DESCRIPTION

VELCO VERMONT ELECTRIC POWER CO., INC.
RUTLAND, VERMONT
LYNDONVILLE SUBSTATION

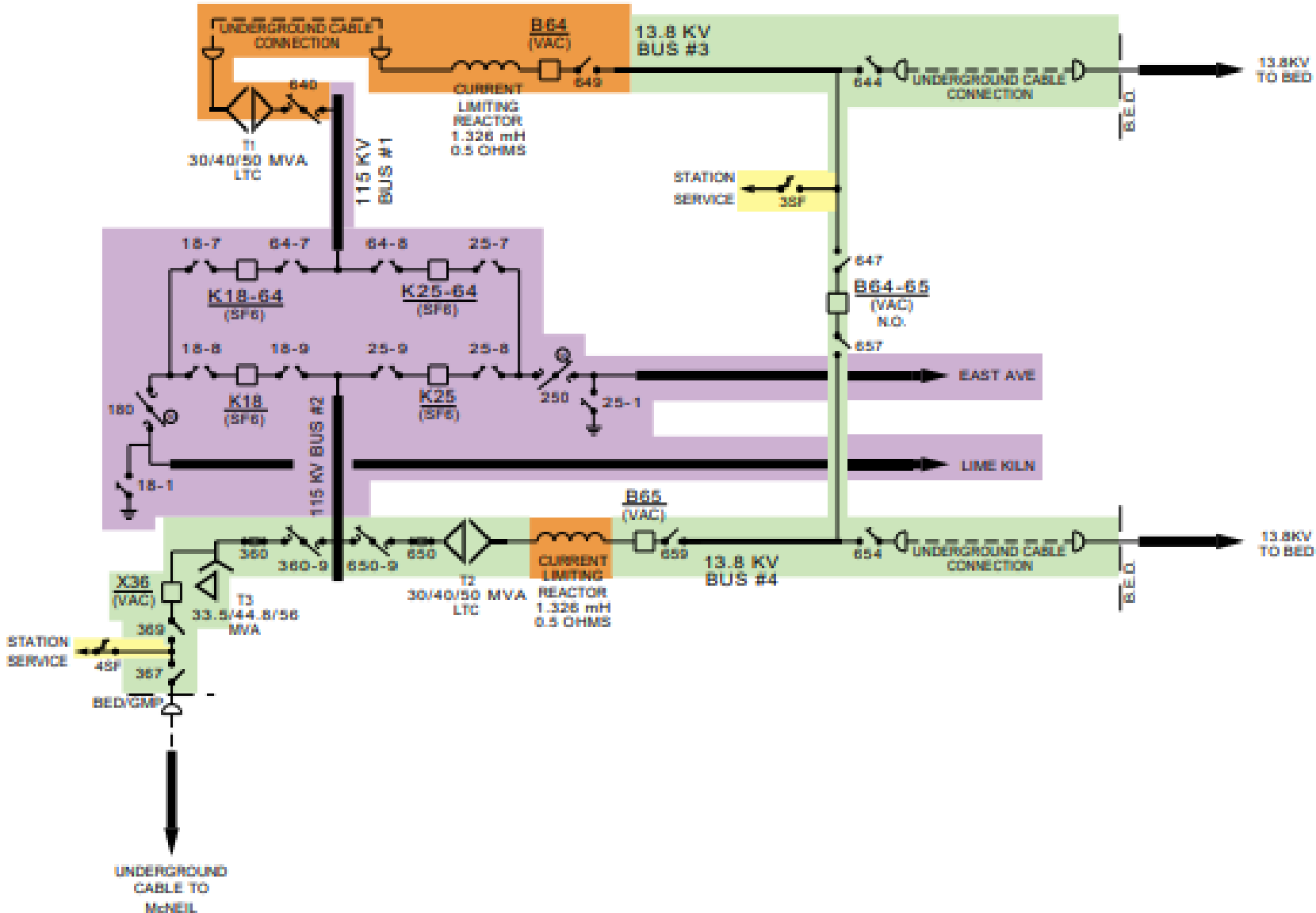
LYNDONVILLE SUBSTATION FACILITIES CLASSIFICATION DIAGRAM

SCALE: NONE	DRAWN BY: JCH	APPROVED BY:	
DATE: 07-06-09	CHECKED BY: JCH		DATE

DRAWING NUMBER: 2900010B-1
PLOT: 1 of 1

FCC example drawing 2

EAST AVE.



Legacy Classifications

- Some legacy classifications exist that don't necessarily conform with SPA.
- Intention of FCC is not to reclassify them.

Vermont Transco LLC Transmission Administrative Manual

- VTAM was originally created by a subcommittee of the OC.
- VTAM should be updated.
- The facility classification committee would like to provide recommendations to the VTAM.
- We will bring recommendations back to the OC.